

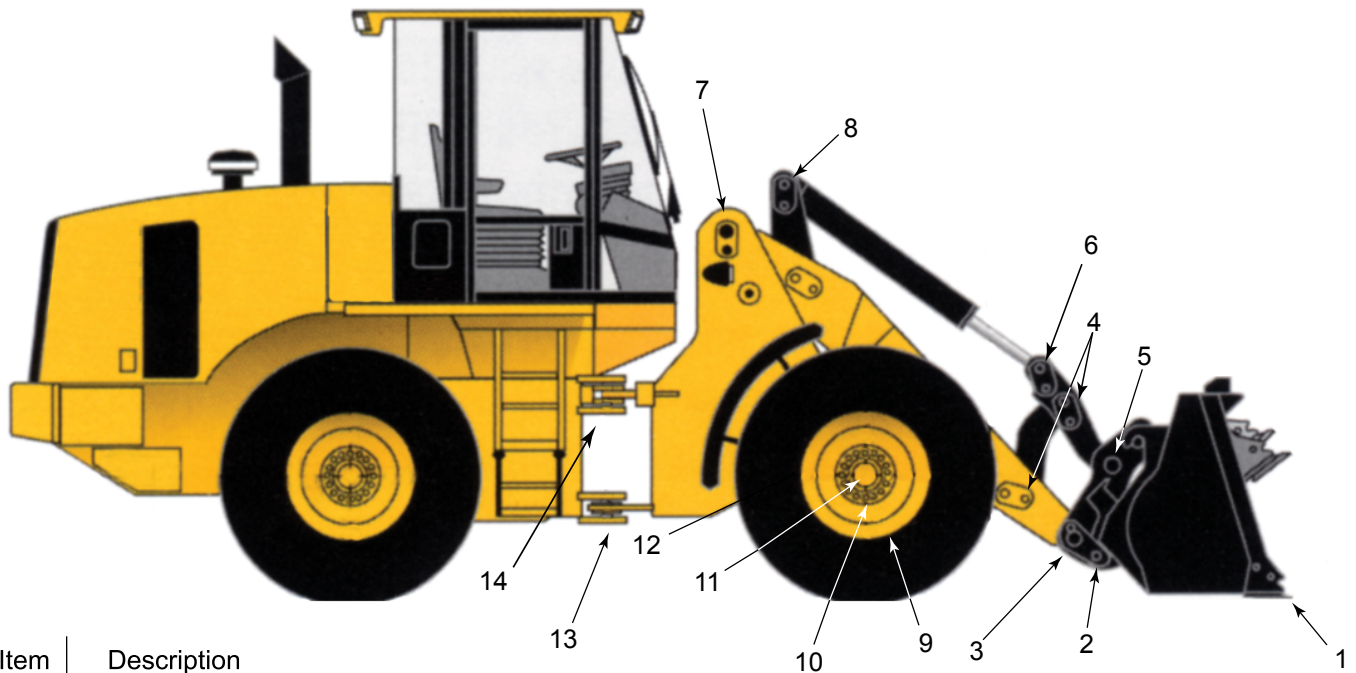
**MACHINE MODELS**

CASE 621D, 621D XR, 621D XT
CAT 930G
DAEWOO MEGA 250-V
DEERE 624H, 624J, TC62H
HYUNDAI HL740-7, HL740XTD-7
JCB 436 HT, 436 ZX
KAWASAKI 70ZV
KOMATSU WA250-5, WA250PT-5, WA320-3
NEW HOLLAND LW170-TC, LW170.B
TEREX TXL250-1
VOLVO L70E, L90D, L90E

**SAFETY FIRST**

1. Wear Safety Equipment.
2. Keep hands and feet clear.
3. Beware of flying objects.

Prior to removing any pins or parts refer to Manufacturers Service manual for proper procedures for securing and stabilizing equipment.



Item	Description
1	Bucket Teeth / Tips
2	Bucket Pin
3	Quick Coupler Pin
4	Upper Bell Crank Pin
5	Bell Crank Pin
6	Tilt Cylinder Rod End
7	Loader Frame to Main Frame Pin
8	Tilt Cylinder Pin
9	Tire Bead
10	Wheel Stud Remover
11	Race Wheel Bearings
12	Steering Cylinder to Frame Assembly
13	Articulation Pin
14	Steering Pin to Frame

See back for Pin Removal / Insertion specifications and recommended Slide Sledge® tool kit.

The following removal and insertion tips are manufacturer recommendations for this model. Other model wheel loaders may use similar tips and tools for similar removals. Consult with manufacturer for specific models and uses.

#	Tool/Tip	Description	Part#
#1	R/I Tool	14 lb./30" Slide Sledge	211301
	R/I Tip	1/2" Ripper Tooth Pin Remover	213304
#2	R/I Tip	1/2" Ripper Tooth Pin Inserter	213303
	R/I Tool	13lb./46" Slide Sledge	211203
#3	R/I Tip	1 1/4" Pin Driver	213103
	R/I Tool	13lb./46" Slide Sledge	211203
#4	R/I Tip	2" Pin Driver	213104
	R/I Tool	13lb./46" Slide Sledge	211203
#5	R/I Tip	2" Pin Driver	213104
	R/I Tool	13lb./46" Slide Sledge	211203
#6	R/I Tip	2" Pin Driver	213104
	R/I Tool	13lb./46" Slide Sledge	211203
#7	R/I Tip	2" Pin Driver	213104
	R/I Tool	13lb./46" Slide Sledge	211203
#8	R/I Tip	2" Pin Driver	213104
	R/I Tool	13lb./46" Slide Sledge	211203
#9	R/I Tip	2" Pin Driver	213104
	R/I Tool	21lb./46" Slide Sledge	211401
#10	R/I Tip	Small Tire Bead Breaker	213529
	Accessory	5 lb. Handle Weight	211808
#11	R/I Tip	5 lb. Handle Weight	211808
	R/I Tool	14 lb./30" Slide Sledge	211301
#12	R/I Tip	2" Pin Driver	213104
	R/I Tool	9lb./30" Slide Sledge	211103
#13	R/I Tip	Bushing/Bearing/Seal Plate Driver	213525
	R/I Tool	14 lb./30" Slide Sledge	211301
#14	R/I Tip	1 1/4" Pin Driver	213103
	R/I Tool	14 lb./30" Slide Sledge	211301
#15	R/I Tip	1 1/4" Pin Driver	213103
	R/I Tool	14 lb./30" Slide Sledge	211301

### Recommended Tool Kit for Small Wheel Loaders

Product	Part#
9lb./30" Slide Sledge	211103
13 lb./46" Slide Sledge	211203
14lb./30" Slide Sledge	211301
21lb./46" Slide Sledge	211401
1 1/4" Pin Driver	213103
2" Pin Driver	213104
1/2" Bucket Tooth Remover	213304
1/2" Bucket Tooth Inserter	213303
Small Tire Bead Breaker	213529
Bushing/Bearing/Seal Plate Driver	213525
5 lb. Handle Weight	211808

Removal and installation should only be performed on pins that have been properly serviced and maintained.